

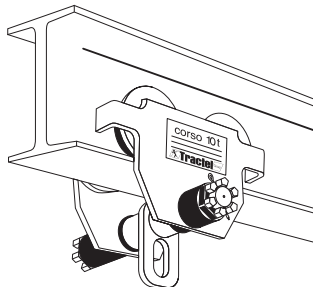
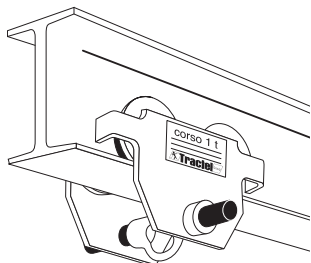
corso

overhead travelling trolleys

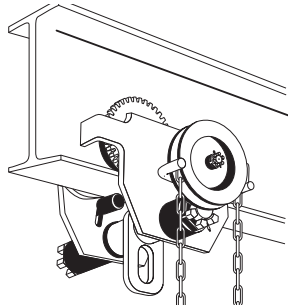
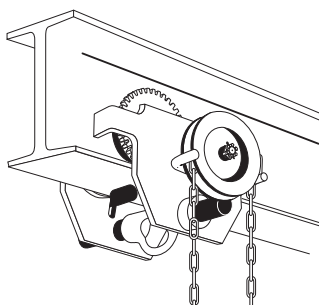
wózki wciągników

подвесные тележки

2006/42/CE



Push trolleys/Wózki przejezdne ręczne/Тележки для толкания :
0,25 t, 0,5 t, 1 t, 2 t, 3 t, 5 t, 10 t



Geared trolleys with chain-operated travel/Wózki przejezdne łańcuchowe/
Тележки с цепным управлением:
1 t, 2 t, 3 t, 5 t, 10 t, 20 t

GB

Operation and maintenance manual
Original manual

PL

Instrukcja obsługi i konserwacji
Tłumaczenie oryginalnej instrukcji
obsługi

RU

Инструкции по использованию и техническому
обслуживанию
Перевод инструкции изготовителя

English

Polski

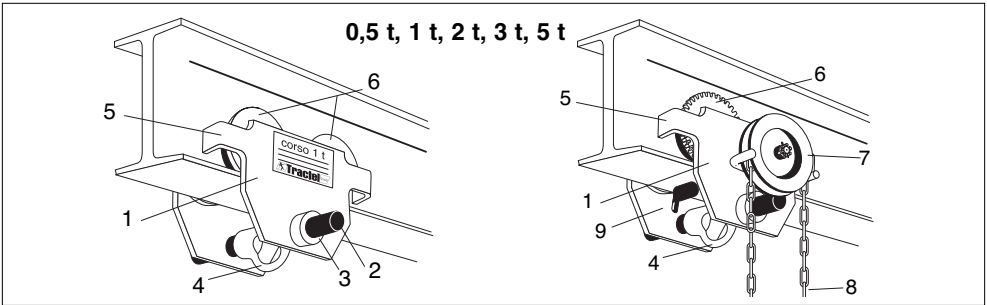
Русский



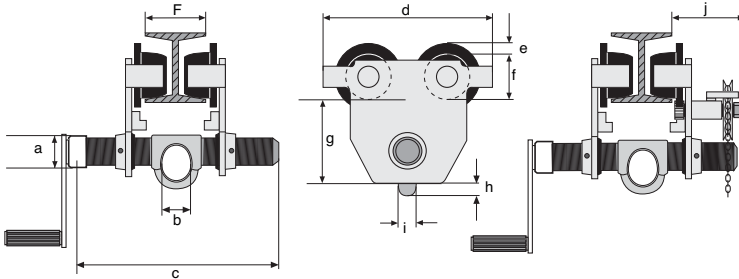
Specifications:

Specyfikacje:

Спецификации:



- 1. Trolley side plates/Tarcze/Боковые детали
- 2. Threaded bar/Poprzeczka gwintowana/Траверса с резьбой
- 3. Securing screw for preventing the bar from moving/Sruba zabezpieczająca i unieruchamiająca poprzeczkę/Блокировочный винт для закрепления траверсы
- 4. Anchor point for hoist/Oczko do podwieszenia wciągника/Кольцо подвески талы
- 5. End stops acting as antiderailing devices/Ograniczniki spętniające rolę zabezpieczeń przed wykolejeniem/Oграничители хода, препятствующие схождению тележки с рельс
- 6. Running wheels/Rolki jezdne/Ролики
- 7. Operating wheel/Koło manewrowe/Колесо управления
- 8. Operating chain/łańcuch manewrowy/Цепь управления
- 9. Anti-tilt system welded onto side plate/System przeciwywrotny przyspawany do tarczy/Система предотвращения наклона, припаянная к боковой детали



W.L.L. Максимальная грузоподъемность	Dimensions / Wymiary / Габариты											Min. Curve radius/ Minimalny promień krzywizny/ Мин. радиус кривой	Mini theoretical strength of hand chain/ Minimalna siła a teoretyczna dział ania na łańcuch manewrowy/ Мин. теоретическая нагрузка на цепь управления	Weight/Ciążar/Bec	
	mm													N	Geared trolley Wózek przejezdny łańcuchowy Тележка для толкания
t	mm											mm	N	kg	
	a	b	c	d	e	f	g	h	i	j	F				
0,25	22	22	220	175	11	50	74	7	12	-	45 - 152	650	-	3,5	-
0,5	27	25	324	225	15	62	88	16	16	-	50 - 220 220 - 300	900	55	8,5	-
1	30	30	334	252	15	62	103	17	17	100	58 - 220 220 - 300	1000	55	10,5	19
2	38	40	342	300	18	80	127	18	21	120	66 - 220 220 - 300	1200	100	18	22,5
3	45	48	358	360	15	97	177	18	21	135	74 - 220 220 - 300	1300	75	32	37,5
5	52	58	372	400	20	110	192	23	21	145	90 - 220 220 - 300	1400	120	48,5	55

For the other capacity, see the end of manual/Inne nośności - patrz na końcu tej instrukcji/
Данные для других значений эксплуатационной нагрузки указаны в конце инструкции.

CONTENTS

- General warning
- I - Warning
- II - Guarantee
- III - General instructions
- IV - Technical data

- V - Maintenance and inspection
- VI - Troubleshooting
- VII - Health and safety at work
- VIII - Servicing and lubrication

GENERAL WARNING

1. Before installing and using this unit, to ensure safe, efficient use of the unit, be sure you have read and fully understood the information and instructions given in this manual. A copy of this manual should be made available to every operator. Extra copies of this manual will be supplied on request.
 2. Do not use the unit if any of the plates mounted on the unit is missing or if any of the information on the plates, as indicated at the end of the manual, is no longer legible. Identical plates will be supplied on request; these must be secured on the unit before it can be used again.
 3. Make sure that all persons operating this unit know perfectly how to use it in a safe way, in observance of all safety at work regulations. This manual must be made available to all users.
 4. This unit must only be used in compliance with all applicable safety regulations and standards concerning installation, use, maintenance and inspection of equipment lifting devices.
 5. For all professional applications, the unit must be placed under the responsibility of a person who is entirely familiar with the applicable regulations and who has the authority to ensure the applicable regulations are applied if this person is not the operator.
 6. Any person using the unit for the first time must first verify that he has fully understood all the safety and correct operation requirements involved in use of the unit. The first-time operator must check, under risk-free conditions, before applying the load and over a limited lifting height, that he has fully understood how to safely and efficiently use the unit.
 7. The unit must only be installed and set into service under conditions ensuring the installer's safety in compliance with the regulations applicable to its category.
 8. Each time, before using the unit, inspect the unit for any visible damage, as well as the accessories used with the unit.
 9. Tractel® declines any responsibility for use of this unit in a setup configuration not described in this manual.
 10. The unit must be suspended vertically to an anchoring point and a structure having sufficient strength to withstand the maximum utilization load indicated in this manual. If several units are used, the strength of the structure must be compatible with the number of lifting units used and with the maximum utilization load of the units.
 11. The lifting chain is an integral part of the unit and must never be disassembled, repaired or modified without Tractel® authorization. Tractel® declines any responsibility for the consequences resulting from disassembly or changes to the chain without Tractel® authorization.
 12. The chain must be in good condition to ensure safe, correct operation of the unit. The condition of the chain must be checked each time before use as indicated in the "chain" section. Any unit with a chain showing signs of wear should be removed from use and returned to Tractel® for inspection and repair if necessary.
 13. Tractel® declines any responsibility for the consequences of any changes made to the unit or removal of parts forming part of the unit.
 14. The unit is designed for manual operation and must never be motorized.
 15. When using the hoist, the user must ensure that the chain remains constantly tensioned by the load. The user must be particularly careful to ensure that the load does not become temporarily snagged by an obstacle when coming down as this could result in rupture of the chain when the load is released from its obstacle.
 16. The unit must never be used for lifting people.
 17. Tractel® declines any responsibility for the consequences resulting from disassembly of the unit in any way not described in this manual or repairs performed without Tractel® authorization, especially as concerns replacement of original parts by parts of another manufacturer.
 18. The unit must never be used for any operations other than those described in this manual. The unit must never be used to handle any loads exceeding the maximum utilization load indicated on the unit. It must never be used in explosive atmospheres.
 19. Never park or circulate under a load. Access to the area under the load should be indicated by signs and prohibited.
 20. When a load is to be lifted by several units, a technical study must first be carried out by a qualified technician before installation of the units. The installation must then be carried out in compliance with the study, in particular to ensure an even distribution of the load under appropriate conditions. Tractel® declines any responsibility for the consequences resulting from use of a Tractel® device in combination with other lifting devices of another manufacturer.
 21. To ensure safe use of the unit, it should be visually inspected and serviced regularly. The unit must be periodically inspected by a Tractel®-approved repair agent as indicated in this manual.
 22. When the unit is not being used, it should be stored in a location inaccessible to persons not authorized to use the unit.
 23. If the unit is to be definitively removed from use, make sure the unit is discarded in a way which will prevent any possible use of the unit. All environment protection regulations must be observed.
- IMPORTANT :** For professional applications, in particular if the unit is to be operated by an employee, make sure that you are in compliance with all safety at work regulations governing installation, maintenance and use of the equipment, and more specifically as concerns the required inspections : verification on commissioning by user, periodic inspections, and inspections subsequent to disassembly or repair operations.

I - WARNING

CORSO trolleys must not, under any circumstances, be used for lifting personnel. Accordingly, no person should stand on or in a structure which is suspended from a CORSO trolley.

Please do not hesitate to contact us for equipment for lifting personnel and for any special applications.

CORSO trolleys must not be used in explosive atmospheres.

Warnings against hazardous operations

The operation of CORSO trolleys in accordance with the instructions in this manual is a guarantee of safety, nevertheless, it is useful to draw the attention of users to the following warning :

- Do not mount the CORSO trolley on sloping beams or beams fitted with a rack rail.
- Never attempt to modify the CORSO trolley, and in particular do not add a motor mechanism without the prior written consent of the manufacturer.
- Never mount the CORSO trolley on an unsuitable support as this may damage the components of the trolley.
- Never repair the CORSO trolley with spare parts which are not TRACTEL® original spare parts .
- Never allow an unqualified person or a person who has not read these instructions to use the CORSO trolley.
- Never lift or attempt to lift a load heavier than the working load limit indicated on the trolley (It should be noted that accidental impacts to the suspended load or the suspended load bumping against fixed structures in the working area may cause overloads).
- Never use the CORSO trolley to pull or release a load, or to pull a load laterally.
- Never touch or alter the components while the CORSO trolley is in operation.
- Never intentionally cause the load to swing.

- Never use the CORSO trolley under operating conditions or in an environment which do not comply with its specification.
- Never move and remove the end stops fitted at the end of the beam.
- Never use the CORSO trolley which is in poor condition(worn or distorted)
- Never are weld with the CORSO trolley in the earth loop.
- Never suspend loads from the hand chain.
- Never remove of the safety devices from the CORSO trolley or use the trolley without these devices.
- Never fix the CORSO trolley on the beam by any means other than those described in these instructions.
- Never suspend loads from the CORSO trolley other than by the anchor point provided.
- Never mount the trolley on a beam without first checking the strength of the beam.
- Never walk or stand under a suspended load or cause the load to pass over persons.
- Never move a CORSO push trolley other than by pushing or pulling on the load.
- Never move a CORSO chain-operated trolley other than by using the hand chain provided.

IT IS EXTREMELY DANGEROUS AND CONTRARY TO ALL PRACTICES, DIRECTIVES AND REGULATIONS TO INTENTIONALLY OVERLOAD A LIFTING DEVICE. THE MANUFACTURER CANNOT BE HELD RESPONSIBLE IN THE EVENT OF ANY DAMAGE OR INJURY.

II - GUARANTEE

Our CORSO travelling trolleys are guaranteed for a period of 12 months from the date of delivery from TRACTEL®.

If dispatch from our factory is delayed for a reason which is not the responsibility of the vendor, the guarantee period may only be extended by a maximum of 3 months.

TRACTEL® undertakes to correct, free of charge, any design, manufacturing or material defect recognised by our company after examination by our technical department, either by repair or replacement (at Tractel®'s discretion) of the product acknowledged as being defective.

NO AUTOMATIC RETURN IS PERMITTED.

The guarantee does not cover damage resulting from incorrect use, inadequate maintenance or handling accidents. It does not cover normal wear and tear, ageing, the effects of oxidation or variations of voltage applied to electrical components. It does not apply to the paint or surface coatings.

The guarantee only applies to original TRACTEL® parts, including the chains, and excludes all other components.

Repairs under guarantee are automatically performed in the workshops of the manufacturer or his approved representative. This guarantee commitment only applies to the cost of the parts replaced and the labour used. Any travelling or accommodation expenses incurred by TRACTEL® personnel or those of TRACTEL®'s approved representative at the user's site, and the costs of transporting the item to and from the manufacturer's factory or that of his approved representative, remain the responsibility of the holder of the guarantee.

Parts which have been replaced become the property of the manufacturer and must be returned to him.

Any repair or modification work performed by the purchaser, the user or a third party not approved by TRACTEL®, automatically invalidates the guarantee.

Repairs and replacements carried out in accordance with the guarantee will not extend the initial guarantee period. This guarantee excludes any work other than that defined above.

The performance of this guarantee excludes any acknowledgement of liability for damage or loss of any type.

The validity of our guarantee remains subject to the presentation of the guarantee certificate, duly signed and dated by the manufacturer, with the device in question. If necessary or in the absence of the guarantee certificate, it is subject to the purchase invoice being submitted to the TRACTEL® network.

II - GENERAL INSTRUCTIONS

1) Receipt of the equipment

CORSO travelling trolleys are supplied in cardboard packaging with internal packing. When the equipment is received, carry out a visual inspection to check that the packaging is in good condition.

If there is any problem, express the usual reservations to the carrier.

After unpacking, check that the trolley corresponds to your order and that the delivery includes :

a) For CORSO trolleys (except 10 and 20 t models)

- Two identical side plates, each fitted with two running wheels.
- One bar (with dual reverse thread) for fixing the side plates and adjusting the spacing.
- One handle for adjusting the distance between the side plates of the trolley.
- Two securing screws on the fixing bar
- These operating and maintenance instructions.
- The CE declaration of conformity.

b) For trolleys 10 and 20 t models

- Two sides plate fitted with supporting wheels.
- One bar for fixing the side plates and adjusting the spacing.
- Two securing screws on the fixing bar.
- These operating and maintenance instructions.
- The CE declaration of conformity.

2) Installation

The lifetime of a trolley depends on how it is installed. It is essential to read these instructions carefully so that you install, use and maintain your device in a clean condi-

tion. Any use contrary to our instructions is dangerous and will release us from our liability as manufacturer.

Do not use the device without having read these instructions in full and understood them. These instructions must be kept close to the device at all times, available to the operator and the person responsible for maintenance.

Follow the safety rules and ensure that they are followed by others.

2.1 Assembling and anchoring the device

a) Trolley 250 to 5000 kg

IMPORTANT :

Before a CORSO trolley is mounted on a traversing beam, the strength of the materials used in the beam must be calculated by a qualified person.

If the CORSO trolley is to be fitted in a location which is dangerous for the operator, the safety precautions laid down in the labour regulations must be implemented to remove all risks not covered in this operation.

CORSO trolleys (up to 2 t) are supplied in kit form as standard. Before they are mounted on the traversing beam the subassemblies must be put together as follows :

- Hold the two side plates of the trolley either side of the fixing bar, checking that the screw threads on the fixing bar/side plates match.
- Rotate the fixing bar continuously to insert it on both sides into the thread provided in the side plates.
- When the threaded fixing bar has been screwed far enough through the side plates, attach the adjustment handle at the end of the fixing bar (on the side with the double drill hole).
- Turn the handle until the distance between the running wheels is adjusted to match the width of the traversing beam.

CAUTION :

The play between the flange of the running wheel and the edge of the lower flange of the traversing beam must not exceed 4 mm for load capacities of up to 2 t, and 5 mm for heavier loads.

- When the adjustment has been correctly made, the oval part of the anchor point must be turned to point downwards so that it can subsequently take the suspension hook of the hoist.
- Position the copper washer in each hole to protect the thread and tighten the two securing screws on the fixing bar.
- Remove the adjustment handle.

Procedure for mounting the trolley on the traversing beam

When the CORSO trolley has been assembled as described above, it can then be fitted onto either end of the traversing beam. Do not forget in this case to attach or replace the end stop on the traversing beam after fitting the trolley.

If the configuration of the traversing beam does not allow the trolley to be fitted at the end, the following procedure must be used :

- Hold the pre-assembled trolley assembly beneath the beam, keeping a wide enough gap between the running wheels to enable the trolley to be positioned on the beam.
- Place two running wheels on one of the side plates in contact with the lower flange of the traversing beam.
- Place the two wheels on the opposite side plate in contact with the traversing beam and turn the adjustment handle to bring the two side plates closer together and bring the four running wheels to rest on the lower flange of the beam.
- Adjust the gap between the wheels as previously indicated.
- Tighten the securing screws on the fixing rod to prevent the assembly from moving
- Remove the adjustment handle.

For a chain-operated CORSO trolley :

- Check that the hand chain is correctly positioned on the operating wheel (welding on the links facing outwards in relation to the axis of the operating wheel).
- Check that the operating chain is not twisted.

After positioning the CORSO trolley on the beam, it is essential to check, WITH NO LOAD on the trolley, that it moves smoothly and freely along the whole length of the beam.

b) Trolleys 10 et 20 t

IMPORTANT :

Before a CORSO trolley is mounted on a traversing beam, the strength of the materials used in the beam must be calculated by a qualified person.

If the CORSO trolley is to be fitted in a location which is dangerous for the operator, the safety precautions laid down in the labour regulations must be implemented to remove all risks not covered in this operation.

Cross bar with adjusting washers and locking nuts to fit a large range of beam size :

- W.L.L. 10 t : beam width adjustment from 125 to 320 mm.
- W.L.L. 20 t : beam width adjustment from 136 to 320 mm.

CORSO push trolley.

1. Dismantle the trolley by removing the safety pins and the fixing nuts at each end of the fixing bar.
2. Separate the two side plates taking care to ensure that the spacer washers and the anchor point are kept together.
3. Position a side plate on each side of the beam and pass the fixing bar through the housing of each side plate with the anchor point in the middle.
4. Beginning with the thickest, the spacer washers should be fitted onto the fixing bar. Remove the side plates in turn and replace them with appropriate spacer washers to achieve the best adjustment on the beam, so that the load bearing point is in the centre of the contact area. The person assembling the trolley should take great care to ensure that the sides of the wheels do not touch the central section of the beam.
5. Distribute the remaining spacer washers

equally on the fixing bar on the outside of each side plate and then fit the fixing nuts.

6. Tighten the fixing nuts and fit the safety pins.
7. Push the trolley along the beam without any load. Traversing should be smooth.

CORSO geared trolley with chain-operated travel.

1. Dismantle the trolley by removing the safety pins and the fixing nuts at each end of the fixing bar.
2. Separate the two side plates taking care to ensure that the spacer washers and anchor point are kept together.
3. Position a side plate on each side of the beam and ensure that the operating wheel and hand chain are on the required side. Pass the fixing bar through the housing of each side plate with the anchor point in the middle.
4. Beginning with the thickest, the spacer washers should be fitted onto the fixing bar. remove the side plates in turn and replace them with appropriate spacer washers to achieve the best adjustment on the beam, so that the load bearing point is in the centre of the contact area. The person assembling the trolley should take great care to ensure that the sides of the wheels do not touch the central section of the beam.
5. Fit the remaining spacer washers on the fixing bar on the outside of the side plate opposite the operating wheel and hand chain. Fit the fixing nuts.
6. Tighten the fixing nuts and fit the safety pins.
7. Using the hand chain, traverse the trolley along the beam without any load. traversing should be smooth.
8. Adjust the anti-tilt bar as near as possible to the under surface of the beam, but not touching. Check that this bar does not touch any point of the beam along which the trolley is to travel.

After positioning the CORSO trolley on the beam, it is essential to check, WITH NO LOAD on the trolley, that it moves smoothly and freely along the whole length of the beam.

2.2 Anchoring the load

The hoist, winch or any other load suitable for use with the CORSO trolley, must be fixed to the trolley using the anchor point provided.

Loads must not, under any circumstances, be attached to any other part of the trolley.

2.3 Preliminary checks

- Check that all the parts of the trolley are correctly assembled and tightened.
- Check that the trolley moves smoothly and freely along the whole length of the traversing beam.
- Check that the load capacity of the trolley is greater than or equal to the maximum load expected during operation.
- Check that the profile of the traversing beam used is sufficient to safely take a force equal to the working load limit.
- Check that the operating chain is correctly mounted and not twisted.

2.4 Control of movements

CORSO trolleys are moved along the traversing beam on the four running wheels which are mounted on ball bearings.

Push-operated CORSO trolleys are traversed by carefully pushing the load (which must have been lifted off the ground).

The load should be moved smoothly without any sudden movements.

Chain-operated CORSO trolleys are traversed using the hand chain provided. Traversing should be carried out smoothly and without any sudden movements, with the load lifted off the ground.

Never drag a load suspended from a trolley along the ground

The following precautions should be taken when performing the various movements of the trolley :

- Check that the load is off the ground.
- Never allow the load to swing.
- When moving a chain-operated trolley, check that the hand chain cannot get caught in a fixed obstacle.
- Avoid the CORSO trolley systematically hitting the end stops fitted on the traversing beam.
- Check that any curved radius of the beam is compatible with the specification of the trolley used.

IV - TECHNICAL DATA

1) Operating principle

The push-operated and chain-operated CORSO traversing trolley is a lifting device. It is designed for suspending a hoist or winch and moving it along an **I** or **H** traversing beam.

The trolley is traversed using four running wheels mounted on ball bearings.

2) Main subassemblies

See page 2 and 27.

3) Name plate

CORSO trolleys should only be used with a maximum load equal to the nominal load shown on the name plate. The lifetime of the CORSO trolley will depend on its regular maintenance in accordance with the directions and recommendations given in these instructions.

V - MAINTENANCE AND INSPECTION

Servicing of the CORSO trolley consists of monitoring that it is in good condition, cleaning it and having it inspected periodically (at least once a year) by a repair engineer approved by TRACTEL®.

Any damage to the CORSO trolley, in particular on the running wheels and the side plates, must be repaired by an approved engineer before it is used again.

It is also essential to regularly check the condition of the traversing beam and if necessary clean it to prevent the accumulation of grease or dust which could prevent the trolley from moving correctly.

VI - TROUBLESHOOTING

If the trolley does not move smoothly and freely along the traversing beam :

- Check that there is no obstacle on the traversing beam.
- Check that the running wheels run smoothly and correctly.
- Check that the running wheel pins are not damaged.
- Check that the spacing of the trolley is correctly adjusted in relation to the width of the traversing beam.
- Check that the curved radius of the traversing beam is not smaller than the technical capacities of the trolley used.
- Check that any curve is not distorted or twisted at any point.
- Check the good surface condition of the lower flange of the beam.

VII - HEALTH AND SAFETY AT WORK

It is the responsibility of every company to ensure that its employees have been fully and properly trained in the safe operation of the equipment.

Before using the equipment, check that all the safety devices are in place and operate correctly.

It is recommended that CORSO trolleys must have an initial inspection on first installation and subsequent periodic inspection. Check local regulations and requirements.

GB

VIII - SERVICING AND LUBRICATION

Checks	Frequency	Person
Check general condition of trolley	Daily	Operator
Visual inspection of side plates and wheels (cracks, distortion)	Quarterly	Operator
Visual check of running wheels for wear and condition of hand chain	Six monthly	Operator
Check condition of traversing beam	Six monthly	Operator
General inspection of parts of the trolley for wear	Annually	After sales service centre

SPIS TREŚCI

Najważniejsze zasady bezpieczeństwa

I – Zalecenia szczególne

II – Gwarancja

III – Zalecenia ogólne

IV – Specyfikacje i charakterystyki techniczne

V – Czynności konserwacyjne i kontrolne

VI – Nieprawidłowości w działaniu

VII – Przeglądy i przepisy dotyczące bezpieczeństwa

VIII – Tabela kontrolna konserwacji i smarowania

NAJWAŻNIEJSZE ZASADY BEZPIECZEŃSTWA

1. Przed zainstalowaniem i przystąpieniem do użytkowania tego urządzenia, w celu zapewnienia bezpieczeństwa jego i skuteczności działania, należy zapoznać się z treścią niniejszej instrukcji oraz stosować się do jej zaleceń. Kopia tej instrukcji powinna być zawsze przechowywana do użytku każdego z operatorów. Dodatkowe jej egzemplarze mogą zostać dostarczone na życzenie klienta.
2. Nie używaj tego urządzenia, jeśli brakuje którejs z tabliczek zamontowanych na korpusie urządzenia lub jeśli któryś ze znajdujących się na niej napisów nie jest czytelny – patrz opis w końcowej części tej instrukcji. Identyczne tabliczki mogą zostać dostarczone na życzenie klienta. Muszą one zostać zamontowane na urządzeniu przed przystąpieniem do dalszej jego eksploatacji.
3. Upewnij się, że każda osoba, której powierzysz używanie tego urządzenia, potrafi sięgnąć i jest w stanie spełnić wymogi bezpieczeństwa obowiązujące przy danym zastosowaniu. Niniejsza instrukcja musi pozostawać zawsze do jej dyspozycji.
4. Instalacja i rozruch tego urządzenia muszą odbywać się w zgodzie z obowiązującymi przepisami prawa i normami bezpieczeństwa odnoszącymi się do instalacji, użytkowania, konserwacji i kontroli urządzeń podnoszących.
5. Przy profesjonalnym użytkowaniu tego urządzenia musi ono pozostawać pod odpowiedzialnością osoby znającej odpowiednie przepisy prawa i mogącej nakazać ich stosowanie, w przypadku gdy osoba ta nie jest operatorem.
6. Każda osoba używająca tego urządzenia po raz pierwszy musi sprawdzić poza strefą ryzyka, bez obciążenia i stosując niewielkie wysokości podnoszenia, czy w pełni zrozumiała a wszystkie zasady bezpieczeństwa i skutecznej obsługi tego sprzętu.
7. Instalacja i rozruch tego urządzenia muszą odbywać się w warunkach zapewniających bezpieczeństwo instalatora, zgodnie z przepisami prawa stosowanymi do tej kategorii sprzętu.
8. Przed każdym użyciem urządzenia sprawdź, czy jest ono w widocznym dobrym stanie, sprawdź też stan używanych wraz z nim akcesoriów.
9. Tractel® odrzuca wszelką odpowiedzialność za skutki działania tego urządzenia w konfiguracji montażu innej niż opisana w niniejszej instrukcji.
10. Urządzenie musi zostać podwieszane pionowo do punktu kotwiczącego i konstrukcji, których wytrzymałość musi być na tyle duża, aby wytrzymać maksymalne obciążenie robocze podane w tej instrukcji. W przypadku użycia kilku urządzeń wytrzymałość konstrukcji musi uwzględnić ich liczbę zgodnie z ich maksymalnym obciążeniem roboczym.
11. Łączuch podnoszący jest integralną częścią tego urządzenia i nie może być demontowany, naprawiany ani modyfikowany poza kontrolą firmy Tractel®. Dokonanie demontażu łączucha podnoszącego lub jego modyfikacji poza kontrolą firmy Tractel® wyklucza jej odpowiedzialność za skutki tych działań.
12. Dobry stan łączucha jest podstawowym warunkiem bezpieczeństwa i prawidłowego działania urządzenia. Kontrola stanu łączucha musi być przeprowadzana przy każdym użyciu zgodnie z opisem w rozdziale „Łączuch”. Każde urządzenie, którego łączuch wykazuje oznaki zużycia lub uszkodzenia musi być wycofane z eksploatacji i zwrócone do firmy Tractel® w celu przeprowadzenia kontroli i przywrócenia do stanu używalności.
13. Wszelka modyfikacja urządzenia poza kontrolą firmy Tractel®, bądź usunięcie jakiegokolwiek jego części składowej uwalnia Tractel® od odpowiedzialności za to urządzenie.
14. Urządzenie to jest urządzeniem ręcznym i nigdy nie może być użyte z napędem silnikowym.
15. Podczas pracy z tym urządzeniem użytkownik musi sprawdzać, czy łączuch jest ciągle napięty, a w szczególności, czy łączuch nie jest chwilowo neutralizowany przez jakąś przeszkodę znajdującą się na drodze jego zjazdu. Sytuacja taka mogłaby skutkować zerwaniem łączucha po spadnięciu ładunku z przeszkody.
16. Zabronione jest wykorzystywanie tego urządzenia do podnoszenia lub przemieszczania osób.
17. Każda operacja demontażu tego urządzenia nieopisana w niniejszej instrukcji lub jego naprawa wykonana poza kontrolą firmy Tractel® uwalnia ją od odpowiedzialności za to urządzenie, zważywszy że w przypadku wymiany oryginalnych części zamiennych na części innego pochodzenia.
18. Urządzenie to nie może być wykorzystywane do innych operacji niż opisane w niniejszej instrukcji. Nie może być nigdy użyte do podnoszenia ładunku, którego ciężar przekracza maksymalne obciążenie robocze podane na urządzeniu. Nigdy nie może być używane w atmosferze wybuchowej.
19. Nigdy nie parkuj i nie przemieszczaj się pod ładunkiem. Oznakuj strefę pod ładunkiem i zabron do niej wstępu.
20. Jeśli ładunek ma być podnoszony przez kilka urządzeń, ich instalacja musi być poprzedzona analizą techniczną przeprowadzoną przez kompetentnego technika, a następnie wykonana zgodnie z tą analizą, w szczególności w celu zapewnienia stałego rozłożenia obciążenia w odpowiednich warunkach. Tractel® odrzuca wszelką odpowiedzialność na wypadek, gdyby urządzenie Tractel® zostało użyte w kombinacji ze sprzętem podnoszącym innego pochodzenia.
21. Ciągi kontrola wzrokowa stanu urządzenia i jego właściwa konserwacja to część środków zapewniających bezpieczeństwo użytkownika. Urządzenie musi być poddawane okresowym przeglądom przeprowadzanym przez autoryzowany serwis Tractel®, jak opisano w niniejszej instrukcji.
22. Kiedy urządzenie nie jest wykorzystywane musi zostać umieszczone w miejscu niedostępnym dla osób nieuprawnionych do jego użycia.
23. W przypadku ostatecznego zaprzestania użytkowania urządzenia należy je złamać w warunkach uniemożliwiających jego dalsze użytkowanie. Należy przestrzegać obowiązujących przepisów prawa w zakresie ochrony środowiska.

WAŻNE: W przypadku każdego profesjonalnego zastosowania tego urządzenia, zważywszy że jest powierzone w pracownikowi etatowemu lub osobie współpracującej, stosuj się do obowiązujących przepisów prawa pracy dotyczących montażu, konserwacji i użytkowania tego typu sprzętu, a w szczególności dotyczących wymaganych kontroli: kontroli przy pierwszym rozruchu przez użytkownika, kontroli okresowych i kontroli po demontażu lub naprawie.

I – ZALECENIA SZCZEGÓŁOWE

Wózki CORSO nie mogą być w żadnym wypadku używane do podnoszenia osób. Oznacza to, że żadna osoba nie może zajmować miejsca na ani w strukturze podwieszanej do wózka CORSO.

W razie konieczności podnoszenia osób lub jakiegokolwiek zastosowania specjalnego prosimy o kontakt z nami.

Wózki CORSO nie mogą być używane w środowisku wybuchowym.

ZABRONIONE JEST:

- Montowanie wózka CORSO na szynach pochyłych lub wyposażonych w zębatkę
- Modyfikowanie charakterystyk urządzenia bez uzyskania wcześniej pisemnej zgody producenta, a w szczególności podłączanie do urządzenia napędu silnikowego.
- Ustawianie urządzenia na niedostosowanej podstawie, stwarzającej niebezpieczeństwo uszkodzenia elementów składowych wózka.
- Naprawianie wózka przy użyciu części zamiennych nieautoryzowanych i niezatwierdzonych przez TRACTEL®.
- Dopuszczanie do użycia wózka przez osobę niewykwalifikowaną lub taką, która nie zapoznała się z treścią niniejszej instrukcji.
- Podnoszenie ładunku o ciężarze przekraczającym maksymalne obciążenie robocze podane na wózku (Należy pamiętać, że przypadkowe uderzenia lub zaczepienia podwieszonych ładunków o konstrukcje stałe w strefie roboczej mogą prowadzić do przeciążeń).
- Używanie wózka do wrywania, odblokowywania lub poprzecznego ciągnięcia ładunku.
- Dotykanie lub naprawianie części będących w ruchu.
- Umyślnego huśtanie ładunkiem.
- Używanie urządzenia w warunkach eksploatacji lub w otoczeniu niezgodnym z jego charakterystykami.

- Przemieszczanie lub usuwanie ograniczników znajdujących się na końcach szyny.
- Używanie wózka w złym stanie (zużycie lub odkształcenia).
- Używanie wózka jako uziemienia podczas spawania.
- Podwieszanie ładunków do ładowni manewrowego.
- Demontowanie urządzeń zabezpieczających wózka i używanie go bez tych zabezpieczeń.
- Mocowanie wózków na szynie przy użyciu innych środków niż opisane w niniejszej instrukcji.
- Podwieszanie ładunków do wózka poza oczkiem przewidzianym do tego celu.
- Umieszczanie wózka na szynie, której wytrzymałość nie została wcześniej sprawdzona.
- Parkowanie lub przechodzenie pod podwieszonym ładunkiem lub przemieszczanie ładunku nad głowami osób.
- Przemieszczanie wózka przejezdnego ręcznego w inny sposób niż ciągnięcie lub pchanie ładunku.
- Przemieszczanie wózka przejezdnego ładowniowego w inny sposób niż za pomocą przewidzianego do tego celu ładowniowego.

SZCZEGÓLNIE NIEBEZPIECZNE, NIEZGODNE Z WSZELKĄ PRAKTYKĄ, NORMAMI, DYREKTYWAMI I PRZEPISAMI JEST ŚWIADOME PRZECIĄŻANIE URZĄDZEŃ PODNOSZĄCYCH. PRODUCENT NIE PONOSI ŻADNEJ ODPOWIEDZIALNOŚCI ZA POWSTAŁE SZKODY I OBRAŻENIA CIAŁA.

II - GWARANCJA

Nasze wózki wciągników CORSO objęte są 12-miesięczną gwarancją licząc od daty dostawy z fabryki TRACTEL®.

Jeśli wysyłka z fabryki została odroczone z przyczyn niezależnych od sprzedawcy, przesunięcie terminu ważności gwarancji nie może przekraczać 3 miesięcy.

TRACTEL® zobowiązuje do bezpłatnego rozwiązania problemu spowodowanego przez wszelkie usterki konstrukcyjne, wykonawcze lub wady materiału, owe uznane przez naszą firmę po przeprowadzeniu ekspertyzy przez nasz dział techniczny, poprzez naprawę lub wymianę produktu uznanego za wadliwy, według naszego wyboru.

ZAKUPIONY TOWAR NIE PODLEGA ZWROTOWI.

Gwarancja nie obejmuje awarii powstałych na skutek niewłaściwego użytkownika, niedostatecznej konserwacji lub wypadku w czasie manewrów. Nie obejmuje skutków normalnego zużycia się starzenia, utleniania.

Gwarancja nie obejmuje również farb i pokryć powierzchni.

Gwarancja stosuje się łącznie do oryginalnych części TRACTEL®, z tymczasami, a nie stosuje się do innych części.

Naprawy objęte gwarancją odbywają się z zasady w warsztatach producenta lub w autoryzowanych przez niego punktach serwisowych.

Niniejsze zobowiązanie gwarancyjne odnosi się łącznie do kosztów użytych części zamiennych i robocizny. Ewentualne koszty dojazdu i pobytu personelu TRACTEL® lub pracowników autoryzowanego przez TRACTEL® serwisu na miejsce użytkownika, jak również koszty transportu tam i z powrotem danego produktu do fabryki producenta lub jego przedstawiciela obciążają beneficjenta niniejszej gwarancji.

Części wymienione stają się własnością producenta i muszą mu być zwrócone.

Wszelkie naprawy lub modyfikacje wykonane przez nabywcę użytkownika lub nieuprawnioną przez TRACTEL® osobę trzecią oznaczają automatycznie unieważnienie niniejszej gwarancji.

Naprawa lub wymiana dokonana w okresie obowiązywania gwarancji nie powoduje przedłużenia początkowego okresu jej trwania. Niniejsza gwarancja wyklucza wszelkie inne świadczenia poza wyżej wymienionymi.

Wykonywanie niniejszej gwarancji wyklucza uznanie jakiegokolwiek odpowiedzialności za szkody lub krzywdy niezależnie od ich charakteru.

Ważność naszej gwarancji uzależniona jest od przedstawienia wraz z kwestionowanym urządzeniem karty gwarancyjnej starannie podpisanej oraz datowanej przez producenta. W razie jej braku należy przedstawić fakturę zakupu urządzenia w sieci TRACTEL®.

III – ZALECENIA OGÓLNE

1) Odbiór sprzętu

Nasze wózki wciągników CORSO dostarczane są w opakowaniach kartonowych z wewnętrznym zabezpieczeniem.

Przy odbiorze sprzętu sprawdź wzrokowo, czy opakowanie jest w dobrym stanie.

W razie nieprawidłowości, podejmij stosowne kroki wobec firmy transportowej.

Po rozpakowaniu upewnij się, czy dostarczony wózek odpowiada zamówieniu i czy w dostawie znajdują się

a) W przypadku wózków (z wyjątkiem 10 i 20 t)

- Dwie tarcze, każda wyposażona w dwie rolki jezdne.
- Poprzeczka do montażu i regulacji rozstawu z podwójnym gwintowaniem odwrotnym.
- Korba do regulacji rozstawu tarcz wózka.
- Dwie śruby blokujące na poprzeczce.
- Niniejsza instrukcja instalacji i konserwacji.
- Deklaracja zgodności CE.

b) Wózki 10 i 20 t

- Dwie tarcze, każda wyposażona w dwie rolki jezdne.
- Poprzeczka do montażu i regulacji rozstawu z nakrętkami i podkładkami.

2) Instalacja

Czas życia wózka zależy od jego użytkownika. Koniecznie należy uważnie przeczytać niniejszą instrukcję, aby prawidłowo zainstalować, użytkować i utrzymywać w stanie

czystości ci to urządzenie. Jakikolwiek użytkowanie niezgodne z zaleceniami zawartymi w tej instrukcji grozi niebezpieczeństwem i zwalnia producenta z wszelkiej odpowiedzialności.

Nie używaj urządzenia bez wcześniejszego przeczytania i zrozumienia tej instrukcji.

Przechowuj zawsze tę instrukcję w pobliżu urządzenia - do dyspozycji operatora i osoby odpowiedzialnej za konserwację. Przestrzegaj i wymagaj przestrzegania zasad bezpieczeństwa.

2.1 łączenie i mocowanie urządzenia

a) Wózki 250 do 5000 kg

WAŻNE:

Przed przystąpieniem do montażu wózków CORSO na szynie jezdnej muszą zostać dla niej przeprowadzone obliczenia wytrzymałości materiału. Obliczenia muszą być wykonane przez osobę kompetentną.

Jeśli mocowanie urządzenia ma się odbyć w miejscu niebezpiecznym dla operatora, muszą być zachowane wymagane prawem pracy środki ostrożności, aby wykluczyć wszelkie ryzyko będące poza kontrolą podczas wykonywania tej operacji.

Wózki CORSO (do 2 t) są na ogół dostarczane w zestawach. Przed zamontowaniem ich na szynie jezdnej należy w następujący sposób wykonać połączenia podzespołów:

- Ustaw tarcze wózka po obu stronach poprzeczki sprawdzając czy podziałki gwintu poprzeczka / tarcza sobie odpowiadają.
- Obracaj w sposób ciągły i poprzeczką, aby wprowadzić ją z jednej i z drugiej strony w odpowiednie gwintowane otwory tarcz.
- Gdy gwintowana poprzeczka jest już wystarczająco wsunięta do tarcz, zamontuj korbę do regulacji na końcu poprzeczki (po stronie z podwójnym nawierceniem).
- Obracaj korbą, aż uzyskasz rozstaw rolek jezdnych odpowiadający szerokości szyny.

UWAGA:

Luz pomiędzy ścianką boczną rolki a końcem dolnej półki szyny nie może przekraczać 4 mm w przypadku nośności do 2 t, a 5 mm – przy wyższej nośności.

- Po prawidłowym wykonaniu regulacji owalna część oczka do podwieszenia musi być skierowana do dołu, aby następnie można było do niej przyłączyć hak podwieszający wciągnika.
- Umieść w każdym z otworów miedzianą zatyczkę zabezpieczającą gwintowanie i przykręć obie śruby blokujące poprzeczkę.
- Zdemontuj korbę do regulacji.

Procedura montażu wózka na szynie jezdnej

Gdy wózek CORSO jest już złożony zgodnie z powyższymi instrukcjami, możesz go nasunąć na jeden z końców szyny jezdnej. Po nasunięciu wózka na szynę zapomnij o zamontowaniu na jej końcu ogranicznika ruchu.

Jeśli konfiguracja szyny jezdnej nie umożliwia nasunięcia na wózek na jej końcu, zastosuj następującą procedurę

- Ustaw zespół wózka wstępnie zmontowany pod szyną jezdnią, zachowując wystarczający rozstaw między rolkami umożliwiającymi umieszczenie wózka na szynie.
- Umieść obie rolki jezdne jednej tarczy na szynie, tak aby znalazły się w kontakcie z dolną półką szyny.
- Umieść obie rolki przeciwnej tarczy w kontakcie z szyną i obracaj korbą regulacyjną, aby zbliżyć obie tarcze do siebie i zapewnić oparcie wszystkim czterem rolkom na dolnej półce szyny.
- Ustaw rozstaw rolek jezdnych jak opisano wyżej.
- Przykręć śruby zabezpieczające na poprzeczce, aby unieruchomić całą oś.
- Zdemontuj korbę do regulacji.

Jeśli chodzi o wózek CORSO ł ąncuchowy:

- Upewnij się że ł ąncuch manewrowy jest prawidłowo zainstalowany na kole manewrowym (spoiny ogniw na zewnątrz w stosunku do osi koła a manewrowego).
- Upewnij się że ł ąncuch manewrowy nie jest poskręcany.

Po zainstalowaniu wózka CORSO na szynie jezdnej należy bezwzględnie sprawdzić NA PUSTO prawidłowość przesuwu wózka, bez blokowania, na całej długości szyny.

b) Wózki 10 i 20 t

WAŻNE:

Przed przystąpieniem do montażu wózków CORSO na szynie jezdnej muszą zostać dla niej przeprowadzone obliczenia wytrzymałości materiału. Obliczenia muszą być wykonane przez osobę kompetentną.

Jeśli mocowanie urządzenia ma się odbyć w miejscu niebezpiecznym dla operatora, muszą być zachowane wymagane prawem pracy środki ostrożności, aby wykluczyć wszelkie ryzyko będące poza kontrolą podczas wykonywania tej operacji.

Szerokie możliwości montażu na dwuteownikach i haownikach stalowych.

- Maksymalne obciążenie robocze: 10 t - szyna o szerokości minimalnej 125 mm, maksymalnej 320 mm.
- Maksymalne obciążenie robocze: 20 t - szyna o szerokości minimalnej 136 mm, maksymalnej 320 mm.

UWAGA:

Luz pomiędzy ścianką boczną rolki jezdnej a końcem dolnej półki szyny nie może przekraczać 5 mm.

Wózek przejezdny ręczny CORSO wciągnika

1. Po usunięciu kołków zabezpieczających zdemontuj nakrętki mocujące znajdujące się po obu stronach pręta mocującego.

2. Oddziel obie tarcze, odzyskując wszystkie podkładki.
3. Ustaw obie tarcze po obu stronach szyny, umieszczając pręt mocujący w przewidzianym do tego celu rozwierceniu.
4. Załóż na miejsce nakrętki, wsuwając je począwszy od najgrubszych na pręt mocujący, i zdejmując, a następnie przekładając tarcze aż do uzyskania optymalnego ustawienia na szynie, tak aby miejsce podparcia znajdowało się w centrum strefy kontaktu. Monter musi zwrócić szczególną uwagę na to, aby rolki jezdne nie dotykały środnika szyny.
5. W taki sam sposób nałóż z zewnątrz pozostałe podkładki i przykręć nakrętki.
6. Przykręć nakrętki mocujące i umieść kołki zabezpieczające na swoich miejscach.
7. Przesuń ręcznie wózek bez ładunku. Przy przesuwaniu wózek powinien przesunąć się płynnie, bez „twardych” punktów.

Wózek wciągnika ł ąncuchowy

1. Po usunięciu kołków zabezpieczających zdemontuj nakrętki mocujące znajdujące się po obu stronach pręta mocującego.
2. Oddziel obie tarcze, odzyskując wszystkie podkładki.
3. Umieść obie tarcze wybierając stronę po której znajdować się będzie ł ąncuch manewrowy. Zamontuj pręt w przewidzianym na niego miejscu.
4. Załóż na miejsce nakrętki identyczne po obu stronach uchwytu mocującego, wsuwając je na osie wewnątrz tarcz począwszy od najgrubszych. Aby to zrobić, zdejmij tarcze, a następnie przekładaj je aż uzyskasz optymalne ustawienie rozstawu rolek jezdnych na szynie, tak aby miejsce podparcia znajdowało się w centrum strefy kontaktu. Monter musi zwrócić szczególną uwagę na to, aby rolki jezdne nie dotykały środnika szyny.
5. Nałóż pozostałe nakrętki na osie mocującą po stronie przeciwnej do sterowania ł ąncuchem i przykręć nakrętki.
6. Przykręć nakrętki mocujące i umieść kołki zabezpieczające na swoich miejscach.

Po zainstalowaniu wózka CORSO na szynie jezdnej należy bezwzględnie sprawdzić NA PUSTO prawidłowość przesuwu wózka, bez blokowania, na całej długości szyny.

2.2 Mocowanie ł adunku

Wciągnik, wciągarka lub jakiegokolwiek inne urządzenie przystosowane do użytku wraz z wózkiem CORSO musi być obowiązkowo przymocowane do wózka poprzez przewidziane do tego oczko do podwieszania.

Zaczepianie ł adunku nie może w żadnym wypadku się odbywać na jakiegokolwiek innej części skł adowej wózka.

2.3 Kontrola wstępna przed użyciem

- Sprawdź, czy wszystkie części skł adowe wózka są prawidłowo zamontowane i przykręcone.
- Sprawdź, czy wózek się nie blokuje i czy przesuwa się swobodnie na całej długości szyny jezdnej.
- Sprawdź, czy nośność wózka jest wyższa lub równa maksymalnemu przewidywanemu obciążeniu roboczemu.
- Sprawdź, czy używany kątownik szyny jezdnej jest wystarczający, aby bezpiecznie wytrzymać działające na niego siły i równą maksymalnemu obciążeniu roboczemu.
- Sprawdź, czy ł ańcuch manewrowy jest prawidłowo zamontowany i nie jest poskręcany.

2.4 Kontrola ruchu wózka

Przesuw wózków CORSO po szynie jezdnej zapewniany jest przez cztery rolki jezdne zamontowane na ł ożyskach kulkowych.

W przypadku wózków CORSO ręcznych przesuw odbywa się po ł agodnym popchnięciu ł adunku, który musi być obowiązkowo oderwany od podł oży.

Przesuw musi odbywać się bez szarpnięć.

W przypadku wózków CORSO ł ańcuchowych przesuw odbywa się przez manewrowanie przewidzianym do tego celu ł ańcuchem. Ł adunek musi być oderwany od podł oży, zaś przesuw musi się odbywać

bez szarpnięć.

Ciągnięcie za pomocą wózka ł adunku leżącego na podł oży jest bezwzględnie zabronione.

Manewrom związanym z ruchem wózka muszą towarzyszyć następujące środki ostrożności:

- Upewnij się, że ł adunek jest oderwany od podł oży.
- Unikaj wszelkiego hałasu przy działaniu ł adunku.
- Upewnij się, że podczas przesuwu wózka sterowanego ł ańcuchem, ł ańcuch manewrowy nie może zahaczyć o żadną stałą przeszkodę.
- Unikaj systematycznego uderzania wózka CORSO o ograniczniki ruchu zamocowane na szynie jezdnej.
- Upewnij się, że promień krzywizny szyny jezdnej jest kompatybilny z charakterystykami używanego wózka.

IV – SPECYFIKACJE I CHARAKTERYSTYKI TECHNICZNE

1) Zasada działania

Wózek wciągnika CORSO ręczny lub ł ańcuchowy zaliczany jest do akcesoriów podnoszących. Jest przeznaczony do podwieszania wciągnika lub wciągarki przesuujących się po szynie jezdnej z dwuteownika lub haownika stalowego.

Ruch przesuwny zapewniany jest przez cztery rolki jezdne zamontowane na ł ożyskach kulkowych.

2) Podstawowe podzespoły

Patrz strona 2 i 27.

3) Tabliczka znamionowa

Wózki CORSO mogą być używane wyłącznie przy maksymalnym obciążeniu roboczym odpowiadającym nośności nominalnej podanej na tabliczce znamionowej. Długość życia wózka CORSO będzie zależała od jego regularnej konserwacji zgodnej ze wskazówkami i zaleceniami podanymi w tej instrukcji.

4) Urządzenia zabezpieczające

Wózki CORSO wyposażone są w:

- Dwie śruby dociskowe zapewniające

szytwe połączenie między tarczami i gwintowaną poprzeczkę do podwieszenia i regulacji (≤ 5 t).

- Cztery ograniczniki ze stalowej blachy profilowanej stanowiące zabezpieczenie przed wykołojeniem się wózka.
- Urządzenia przeciwwywrotne przyspawane do wewnętrznej strony tarcz.
- Cztery rolki jezdne na ł ożyskach kulowych.

V - CZYNNOCI KONSERWACYJNE I KONTROLNE

bieżąca konserwacja wózka CORSO polega na nadzorowaniu jego dobrego stanu, czyszczeniu i poddawaniu go okresowym przeglądom (co najmniej raz w roku) przez autoryzowany serwis TRACTEL®.

Wszelkie zużycie wózka, a w szczególności jego rolek jezdnych i tarcz, musi zostać naprawione przez autoryzowany serwis, przed dopuszczeniem wózka do dalszej eksploatacji.

Konieczne jest również dokłaadne sprawdzanie stanu szyny jezdnej, a w razie konieczności czyszczenie jej, aby nie dopuścić do gromadzenia się smaru lub kurzu utrudniających przesuw wózka.

VI - NIEPRAWIDŁOWOCI W DZIAŁANIU

Jeśli wózek napotyka na „twarde” punkty lub blokuje się miejscami na szynie jezdnej:

- Sprawdź, czy na szynie jezdnej nie ma żadnej przeszkody.
- Sprawdź, czy rolki jezdne obracają się prawidłowo bez szarpnięć.
- Sprawdź, czy osie rolek jezdnych nie są uszkodzone.
- Sprawdź, czy rozstaw wózka jest prawidłowy w stosunku do szerokości szyny jezdnej.
- Sprawdź, czy promień krzywizny szyny jezdnej nie jest zbyt mały w stosunku do możliwości technicznych używanego wózka.
- Sprawdź, czy szyna jezdna nie jest w jakimś miejscu odkształcona lub skrzywiona.

- Sprawdź stan powierzchni dolnej półki szyny jezdnej.

VII - PRZEGLĄDY I PRZEPISY DOTYCZĄCE BEZPIECZEŃSTWA

Każde przedsiębiorstwo powierzające urządzenie CORSO pracownikowi etatowemu lub osobie współpracującej musi stosować się do przepisów prawa pracy dotyczących bezpieczeństwa.

We Francji urządzenia te muszą w takich wypadkach być poddane kontroli wstępnej przed oddaniem do użytkowania oraz być kontrolowane w regularnych odstępach czasu (zarządzenie z 9 czerwca 1993).

Przed każdym użyciem należy bezwzględnie się upewnić, że wszystkie urządzenia zabezpieczające są na swoich miejscach i działają prawidłowo.

VIII - TABELA KONTROLNA KONSERWACJI I SMAROWANIA

Przeglądy	Okresowość	Osoby odpowiedzialne
Kontrola stanu ogólnego wózka	Codziennie	Operator
Kontrola wzrokowa stanu tarcz i rolek jezdnych (pęknięcia, odkształcenia)	Raz na kwartał	Operator
Kontrola wzrokowa zużycia rolek jezdnych i stanu łańcucha manewrowego	Raz na pół roku	Operator
Kontrola stanu szyny jezdnej	Raz na pół roku	Operator
Kontrola ogólna zużycia elementów składowych wózka	Raz na rok	Pracownik serwisu posprzedażnego

PO

Оглавление

- Основные инструкции
- I – Особые инструкции
- II - Гарантия
- III – Общие указания
- IV – Технические спецификации и характеристики

V - МЕРЫ ПО ТЕХНИЧЕСКОМУ ОБСЛУЖИВАНИЮ И ОСМОТРУ

VI – Неисправности в работе

VII – Проверка и нормы безопасности

VIII – Таблица информации о техническом осмотре и смазке

ОСНОВНЫЕ ИНСТРУКЦИИ

1. Для обеспечения безопасной и эффективной установки и использования данного устройства следует предварительно прочесть данную инструкцию по эксплуатации и в дальнейшем выполнять ее положения и рекомендации. Копию инструкции следует сохранить и предоставить в распоряжение всем операторам. Дополнительные копии инструкции предоставляются по требованию.
 2. Не следует использовать механизм, если одна из прикрепленных к нему табличек отсутствует, или если указанная на них информация стерта или неразборчиво написана. Информацию о расположении табличек можно прочесть в конце данной инструкции. По требованию клиента предоставляются идентичные таблички, которые должны быть закреплены до того, как механизм будет вновь введен в эксплуатацию.
 3. Следует убедиться в том, что все лица, которым вы предоставляете в пользование данное оборудование, умеют им управлять и в состоянии соблюдать необходимые правила техники безопасности. Пользователям необходимо предоставить данную инструкцию.
 4. При вводе в эксплуатацию данного механизма следует соблюдать нормативные акты и нормы безопасности, применимые при установке, использовании, техническом обслуживании и контроле механизмов, используемых для подъема грузов.
 5. При профессиональном использовании за данное оборудование должен отвечать специалист, которому известны применимые нормативные акты, и который обладает достаточными полномочиями для того, чтобы гарантировать их применение, если сам он не является пользователем.
 6. Все лица, впервые использующие данное оборудование, должны убедиться в безопасных условиях и до приложения нагрузки, а также на надежной высоте подъема, в том, что они поняли все условия, необходимые для безопасного и эффективного использования оборудования.
 7. Установка и ввод в эксплуатацию данного оборудования должны происходить в условиях, обеспечивающих безопасность монтажника в соответствии с применимыми нормативными актами соответствующей категории.
 8. Каждый раз перед началом использования механизма следует убедиться в том, что он или используемые с ним аксессуары не выглядят поврежденными.
 9. Фирма Tractel® не несет ответственности за работу данного механизма в конфигурации сборки, не указанной в данной инструкции.
 10. Механизм следует повесить вертикально к точке крепления и структуре, обладающим достаточным сопротивлением, чтобы выдержать максимальную эксплуатационную нагрузку, указанную в данной инструкции. В случае использования нескольких механизмов сопротивление структуры должно быть рассчитано в зависимости от числа механизмов и их максимальной эксплуатационной нагрузки.
 11. Подъемная цепь является неотъемлемым элементом механизма. Цепь не следует разбирать, ремонтировать или вносить изменения в ее конструкцию без ведома фирмы Tractel®. Фирма Tractel® снимает с себя какую бы то ни было ответственность за последствия разборки цепи или внесения изменений в ее конструкцию, осуществленные без ее ведома.
 12. Поддержание цепи в рабочем состоянии является главным условием правильной и безопасной работы механизма. Проверку состояния цепи следует осуществлять каждый раз при использовании, в соответствии с гл. «цепь». В случае обнаружения признаков повреждения цепи механизм следует вывести из эксплуатации и вернуть в фирму Tractel® для проверки и ремонта.
 13. Фирма Tractel® не несет никакой ответственности в случае внесения каких бы то ни было изменений в конструкцию механизма, осуществленных не под контролем фирмы Tractel®, или снятия составляющих элементов.
 14. Это – оборудование с ручным управлением. К нему ни в коем случае не следует подключать мотор.
 15. Пользователь должен убедиться в том, что в ходе использования оборудования цепь постоянно натянута благодаря грузу и, в частности, что груз не застрял при спуске, что может вызвать опасность разрыва цепи после того, как груз будет освобожден.
 16. Категорически воспрещается использовать данный механизм для подъема или перемещения людей.
 17. Фирма Tractel® снимает с себя какую бы то ни было ответственность за последствия разборки механизма, выполненной с нарушением положений данной инструкции, или ремонтных операций, выполненных без контроля со стороны фирмы Tractel®; в особенности, в случае замены фирменных деталей на запчасти, изготовленные другим производителем.
 18. Данное оборудование следует использовать только для выполнения операций, указанных в данной инструкции. Его ни в коем случае не следует использовать при нагрузке, превышающей максимальную эксплуатационную нагрузку, указанную на механизме. Оборудование не в коем случае не следует использовать во взрывоопасной атмосфере.
 19. Ни при каких обстоятельствах не следует находиться или передвигаться под грузом. Зону, расположенную под грузом, следует обозначить и перекрыть доступ к ней.
 20. Если несколько механизмов будут использованы для подъема одного и того же груза, их установка должна предшествовать техническое исследование, проведенное компетентным специалистом. Затем установку следует произвести в соответствии с таким исследованием, в частности, затем, чтобы обеспечить постоянное распределение нагрузки в соответствующих условиях. Фирма Tractel® полностью исключает ответственность за последствия использования механизма Tractel® совместно с подъемными устройствами других производителей.
 21. Для поддержания безопасных условий использования необходимо постоянно следить за тем, чтобы механизм выглядел исправным, и выполнять операции по техническому обслуживанию. Механизм должен проходить периодическую проверку в лицензированной фирмой Tractel® ремонтной службе в соответствии с данной инструкцией.
 22. Если механизм не используется, он должен находиться вне досягаемости лиц, не имеющих разрешения на его использование.
 23. В случае полного окончания использования механизм следует выбросить таким образом, чтобы его нельзя было использовать. Следует соблюдать нормативные акты защиты окружающей среды.
- ВНИМАНИЕ:** При профессиональном применении, если данное оборудование будет использоваться одним из ваших сотрудников, работников и т.п., вы обязаны соблюдать соответствующее трудовое законодательство, применимое к сборке, техническому обслуживанию и использованию данного механизма, в частности, относительно необходимых проверок: проверка перед первым вводом в эксплуатацию пользователем, периодические проверки и контроль после разборки или починки.

I – ОСОБЫЕ ИНСТРУКЦИИ

Категорически запрещается использовать тележки CORSO для подъема людей. Соответственно, люди не должны находиться на или в конструкции, подвешенной к тележке CORSO.

Если вам необходимо приобрести оборудование для подъема людей или для использования в особых ситуациях, убедительно просим обратиться в фирму TRACTEL®.

Тележки CORSO не следует использовать во взрывоопасной атмосфере.

КАТЕГОРИЧЕСКИ ВОСПРЕЩАЕТСЯ:

- Устанавливать тележку CORSO на наклонные или снабженные зубчатой рейкой балки.
- Изменять характеристики механизма без предварительного разрешения производителя, в частности, устанавливать мотор.
- Устанавливать механизм на не адаптированную для этого структуру, что приведет к опасности повреждения составляющих деталей тележки.
- Осуществлять ремонт механизма, используя запчасти, не указанные в каталоге и не авторизованные фирмой TRACTEL®.
- Предоставлять тележку в пользование не квалифицированному лицу или пользователю, который не ознакомился с данной инструкцией.
- Использовать тележку для подъема груза, который превышает максимальную эксплуатационную нагрузку, указанную на тележке. (Следует отметить, что перегрузка может возникнуть в результате случайного удара подвешенного груза о закрепленные в зоне выполнения работ структуры).
- Использовать тележку для выдергивания, разблокирования или боковой тяги груза.
- Трогать движущиеся части механизма или их препятствовать работе.
- Намеренно раскачивать груз.
- Использовать снаряжение в условиях эксплуатации или в рабочей среде, не соответствующей его характеристикам.
- Передвигать или снимать упоры, установленные по бокам балки.
- Использовать тележку, которая находится в неисправном состоянии (износ, деформация).
- Использовать тележку в качестве заземления при сварке.
- Вешать груз на цепь управления.

- Разбирать средства безопасности тележки и использовать ее без них.
- Закреплять тележку на балку, используя средства, не указанные в данной инструкции.
- Прикреплять груз иным образом, чем к специально предназначенному кольцу подвески.
- Устанавливать тележку на балку, сопротивление которой не было предварительно проверено.
- Находиться под подвешенным грузом или допускать, чтобы груз перемещался над головами людей.
- Передвигать тележку для толкания иным образом, чем толкая или воздействуя на груз.
- Передвигать тележку с цепным управлением иным образом, чем воздействуя на предусмотренную для этого цепь управления.

НАМЕРЕННАЯ ПЕРЕГРУЗКА ПОДЪЕМНОГО УСТРОЙСТВА ЯВЛЯЕТСЯ КРАЙНЕ ОПАСНОЙ И ПРОТИВОРЕЧИТ ПРАВИЛАМ ИСПОЛЬЗОВАНИЯ, ДИРЕКТИВАМ И НОРМАТИВНЫМ АКТАМ. В ЭТОМ СЛУЧАЕ ИЗГОТОВИТЕЛЬ НЕ НЕСЕТ ОТВЕТСТВЕННОСТИ ЗА ТЕЛЕСНЫЙ И МАТЕРИАЛЬНЫЙ УЩЕРБ.

II - ГАРАНТИЯ

Наши подвесные тележки CORSO снабжены гарантией сроком на 12 месяцев с даты поставки заводом TRACTEL®.

Если отправка с завода задерживается по независящим от продавца причинам, гарантия может быть продлена на срок не более 3 месяцев.

Фирма TRACTEL® обязуется бесплатно ликвидировать какие бы то ни было недостатки конструкции, производственные дефекты или дефекты материалов, наличие которых было подтверждено специалистами нашей технической службы, по своему выбору, либо отремонтировав, либо заменив изделие, признанное неисправным. **ФИРМА ОТКАЗЫВАЕТСЯ ЗАМЕНИТЬ ПРОДУКЦИЮ, КОТОРУЮ ОНА НЕ ПРИЗНАЛА НЕИСПРАВНОЙ.**

Гарантия не распространяется на неисправности, возникшие в результате неправильного использования, недостаточного технического обслуживания или халатного обращения. Гарантия не распространяется на нормальный износ, старение и окисление оборудования.

Кроме того, гарантия не распространяется на краску и покрытие поверхностей.

Гарантия распространяется только на фирменные детали TRACTEL®, в том числе, цепи, и исключает все остальные элементы.

Ремонт в рамках гарантии всегда осуществляется в цехах производителя или лицензированного им дистрибьютора.

Данное гарантийное обязательство распространяется исключительно на стоимость подлежащих замене деталей и используемую рабочую силу. Возможные расходы на транспорт до места работы пользователя и на проживание работников фирмы TRACTEL® или лицензированных ей дистрибьюторов, а также на транспортировку неисправной продукции до завода производителя или лицензированного им дистрибьюторов и обратно, берет на себя бенефициар гарантии.

Подлежащие замене детали являются собственностью изготовителя, которому их следует направить.

Гарантия становится автоматически недействительной в результате каких бы то ни было мер по ремонту или внесению изменений в конструкцию оборудования, принятых покупателем, пользователем или третьими лицами, не имеющими лицензии фирмы TRACTEL®.

Ремонт или замена, выполненные в рамках данной гарантии, не являются причиной для продления начального гарантийного периода. Данная гарантия исключает какое-либо другое обслуживание, чем указанное выше.

Выполнение гарантийных обязательств исключает какое бы то ни было признание вины фирмы за какой бы то ни было ущерб или повреждения, вне зависимости от их происхождения.

Наша гарантия является действительной только при получении неисправного оборудования с гарантийным талоном с указанием даты, должным образом подписанным изготовителем. Если гарантийного талона нет, следует представить соответствующий торговый чек, подтверждающий покупку изделия у одного из дистрибьюторов сети TRACTEL®.

III – ОБЩИЕ УКАЗАНИЯ

1) Приемка оборудования

Наши подвесные тележки CORSO поставляются в картонной упаковке с внутренними клиньями.

При получении оборудования его следует внимательно осмотреть и убедиться в том, что упаковка не повреждена.

В случае обнаружения аномалий следует сообщить компании, осуществившей транспортировку.

Развернув оборудование, следует убедиться, что тележка соответствует вашему заказу, и что в комплект входят:

а) Тележки (кроме 10 и 20 т)

- Две боковые детали, каждая из которых снабжена двумя роликами.
- Монтажная траверса и регуляторы расстояния с двойной обратной резьбой.
- Рукоятка регулирования расстояния между боковыми деталями тележки.
- Два блокировочных винта на траверсе.
- Настоящая инструкция по вводу в эксплуатацию и техническому обслуживанию.
- Заявление о соответствии стандартам «СЕ».

б) Тележки 10 и 20 т

- Две боковые детали, каждая из которых снабжена двумя роликами.
- Траверса для монтажа и регулирования расстояния с шайбами и гайками.

2) Ввод в эксплуатацию

Срок службы тележки зависит от правильности ее установки. Необходимо внимательно прочесть данную инструкцию по установке, использованию и поддержанию в хорошем состоянии приобретенного вами оборудования. Использование оборудования в нарушение положений данной инструкции является опасным и полностью снимает ответственность с изготовителя.

Категорически запрещается использовать оборудование, предварительно не прочтя данной инструкции, и не поняв ее положений.

Данную инструкцию всегда следует держать поблизости от оборудования, чтобы ей мог воспользоваться оператор или лицо, осуществляющее технический уход.

Необходимо соблюдать правила техники безопасности и следить за тем, чтобы их соблюдали другие.

2.1 Сборка и крепление механизма

а) Тележки 250 – 5000 кг

ВНИМАНИЕ :

Прежде чем приступить к установке тележки CORSO, квалифицированный специалист должен рассчитать сопротивление материалов, из которых изготовлен рельс.

Если оборудование будет закреплено в опасном

для оператора месте, необходимо принять меры техники безопасности, в соответствии с трудовым законодательством, во избежание какого бы то ни было непредвиденного риска.

Тележки CORSO (до 2 т), как правило, поставляются в виде комплекта. Прежде, чем устанавливать тележку на рельс, необходимо собрать следующие блоки деталей:

- Поместить две боковые детали с каждой стороны траверсы, убедившись в том, что резьба винта траверсы соответствует резьбе боковых деталей.
- Поворачивать траверсу таким образом, чтобы она вошла в предусмотренную для этого резьбу боковых деталей.
- Ввинтив траверсу на достаточное расстояние, установить регулировочную рукоятку на конце траверсы (с двойными отверстиями).
- Поворачивать рукоятку до тех пор, пока расстояние между роликами не будет соответствовать ширине рельса.

ВНИМАНИЕ:

зазор между стороной ролика и внутренней частью рельса не должен превышать 4 мм при нагрузке до 2 т и 5 мм при нагрузке более 2 т.

- Если настройка выполнена правильно, овальная часть кольца подвески должна быть направлена книзу, чтобы впоследствии за него можно было зацепить крюк подвески тая.
- Закрывать все отверстия защитными медными заклепками и завинтить оба блокировочных винта траверсы.
- Снять регулировочную рукоятку.

Процедура установки тележки на рельс

После того, как тележка CORSO была собрана согласно приведенным выше инструкциям, ее можно установить на одном из концов рельса.

В этом случае важно не забыть установить или подтянуть ограничитель хода на рельсе после установки тележки.

Если конфигурация рельса не позволяет установить тележку с края, действуйте следующим образом:

- Поместить предварительно собранный блок тележки под рельс, оставив между роликами достаточное расстояние для того, чтобы надеть тележку на рельс.
- Поставить два ролика одной боковой детали на нижнюю часть рельса.

- Поставить оба ролика противоположной боковой детали на рельс и поворотом регулировочной рукоятки приблизить две боковые детали таким образом, чтобы все четыре ролика встали на нижний борт рельса.
- Отрегулировать расстояние между роликами, как указано выше.
- Затянуть блокировочные винты траверсы и закрепить конструкцию на месте.
- Снять регулировочную рукоятку.

Если речь идет о тележке CORSO, управляемой с помощью цепи:

- Проверить, правильно ли установлена цепь управления на колесе управления (спайками звеньев наружу по отношению к оси колеса управления).
- Убедиться в том, что цепь управления не перекручена.

Установив тележку CORSO на рельс, необходимо убедиться БЕЗ ГРУЗА в том, что она может свободно перемещаться по всей длине рельса.

b) Тележки 10 и 20 т

ВНИМАНИЕ :

Прежде чем приступить к установке тележки CORSO, квалифицированный специалист должен рассчитать сопротивление материалов, из которых изготовлен рельс.

Если оборудование будет закреплено в опасном для оператора месте, необходимо принять меры техники безопасности, в соответствии с трудовым законодательством, во избежание какого бы то ни было непредвиденного риска.

Разнообразные возможности установки на рельс профиля I или H.

- Макс. грузоподъемность: 10 т, рельс мин. шириной 125 мм, макс. 320 мм.
- Макс. грузоподъемность: 20 т, рельс мин. шириной 136 мм, макс. 320 мм.

ВНИМАНИЕ:

Зазор между стороной ролика и нижней частью рельса не должен превышать 5 мм.

Подвесная тележка CORSO для толкания.

1. Предварительно сняв предохранительные штифты, вывинтить крепежные гайки, расположенные с каждой стороны закрепляющего стержня.

2. Разделить две боковые детали, вынув все прокладочные шайбы.
3. Поместить две боковые детали с каждой стороны балки, поместив закрепляющий стержень в предусмотренную для этого расточку.
4. Установить прокладочные шайбы, надев их на закрепляющий стержень, начав с самых больших; снимать и вновь устанавливать боковые детали до тех пор, пока расположение механизма на балке не будет оптимально отрегулировано таким образом, чтобы нагрузка попадала в центр зоны контакта. Монтажник должен обратить особое внимание на то, чтобы борта роликов не касались центральной секции балки.
5. Расположить оставшиеся прокладочные шайбы снаружи идентично, затем завернуть гайки.
6. Затянуть крепежные гайки и установить предохранительные штифты в гнезда.
7. Вручную прокатить тележку без нагрузки. Ходу тележки ничего не должно препятствовать.

Подвесная тележка с цепным управлением.

1. Сняв предохранительные штифты, вывинтить крепежные гайки, расположенные с каждой стороны закрепляющего стержня.
2. Разделить две боковые детали, вынув все прокладочные шайбы.
3. Установить две боковые детали, выбрав сторону, на которую будет установлена цепь управления. Установить закрепляющий стержень в предназначенное для этого отверстие.
4. Установить с каждой стороны предохранительного стержня прокладочные шайбы одинакового размера, надев их на ось внутри боковых деталей, начиная с самых больших шайб. Для этого снимать и поочередно вновь устанавливать боковые детали до тех пор, пока положение роликов тележки на балке не будет оптимально отрегулировано таким образом, чтобы нагрузка попадала в центр зоны контакта. Монтажник должен обратить особое внимание на то, чтобы борта роликов не касались центральной секции балки.
5. Установить оставшиеся прокладочные шайбы на ось крепления со стороны, противоположной цепи управления, и затянуть гайки.
6. Затянуть крепежные гайки и установить предохранительные штифты в гнезда.

Установив тележку CORSO на рельс, необходимо убедиться БЕЗ ГРУЗА в том, что она может свободно перемещаться по всей длине рельса.

2.2 Крепление груза

Таль, подъемник или любой другой груз, пригодный для использования с тележкой CORSO, следует закреплять только с помощью предназначенного для этого кольца подвески.

Ни в коем случае не следует прикреплять груз к другим частям тележки.

2.3 Предварительная проверка перед вводом в эксплуатацию

- Следует убедиться в том, что все составляющие элементы тележки правильно собраны и надежным образом закреплены.
- Убедиться в том, что тележка свободно перемещается по всей длине балки, не застревая.
- Убедиться в том, что грузоподъемность тележки равна максимальной эксплуатационной нагрузке или превышает таковую.
- Следует убедиться в том, что используемый рельс может безопасно выдержать максимальную эксплуатационную нагрузку.
- Проверить правильность установки цепи управления. Убедиться в том, что она не перекручена.

2.4 Контроль движения

Движение тележек CORSO по рельсу обеспечено за счет четырех роликов, установленных на роликовые подшипники.

Тележки CORSO «для толкания» движутся за счет перемещения груза, который предварительно следует поднять над уровнем земли.

Перемещение должно проходить плавно и без толчков.

Тележки CORSO с цепным управлением движутся за счет предусмотренной для этого цепи. Тележка должна передвигаться с поднятым от земли грузом, плавно и без толчков.

Категорически запрещается тянуть груз, лежащий на земле, с помощью тележки.

Работа с тележкой в разных конфигурациях требует соблюдения приведенных ниже мер предосторожности:

- Убедиться в том, что груз поднят над землей.
- Не допускать того, чтобы груз раскачивался.
- Убедиться в том, что при перемещении тележки с цепным управлением цепь управления не зацепилась за неподвижную структуру.
- Следует избегать того, чтобы тележка CORSO систематически ударялась об ограничители хода, установленные на рельс.

- Убедиться в том, что кривизна рельса соответствует характеристикам используемой тележки.

IV - ТЕХНИЧЕСКИЕ СПЕЦИФИКАЦИИ И ХАРАКТЕРИСТИКИ

1) Принцип работы

Подвесные тележки CORSO для толкания или с цепным управлением являются подъемным механизмом. Он предназначен для подвешивания талы или подъемника, который будет двигаться по балке профиля I или H.

Тележка движется за счет четырех роликов, установленных на подшипники.

2) Основные блоки деталей

См. Стр 2 и 27.

3) Табличка с информацией

Тележки CORSO можно использовать только при соблюдении максимальной эксплуатационной нагрузки, которая равна номинальной нагрузке, указанной на табличке с информацией. Срок службы тележки CORSO зависит от регулярности технического обслуживания в соответствии с указаниями и положениями, содержащимися в данной инструкции.

4) Предохранительные устройства

Элементы, установленные на тележках CORSO:

- Два зажимных винта, которые обеспечивают жесткое крепление между боковыми деталями и траверсой с резьбой для подвески и регулирования (≤ 5 т).
- Четыре ограничителя хода из толченой листовой стали, которые служат для предотвращения схождения тележки с рельс.
- Устройства предотвращения наклона, припаянные к внутренней стороне боковых деталей.
- Четыре ролика с подшипниками.

V - МЕРЫ ПО ТЕХНИЧЕСКОМУ ОБСЛУЖИВАНИЮ И ОСМОТРУ

Техническое обслуживание тележки CORSO заключается в том, чтобы следить за ее исправностью, чистить и осуществлять периодический (как минимум, раз в год) технический осмотр в ремонтной службе, лицензированной фирмой TRACTEL®.

В случае обнаружения какой бы то ни было неисправности тележки, в частности, роликов и

боковых деталей, следует прекратить использование и направить механизм в лицензированную службу ремонта.

Кроме того, необходимо регулярно проверять состояние рельса и чистить его в случае необходимости, во избежание скопления смазки или пыли, которое бы мешало ходу тележки.

VI - НЕИСПРАВНОСТИ В РАБОТЕ

Если при движении по рельсу тележка застревает или заклинивает, необходимо:

- Проверить, не мешает ли движению какой-либо посторонний предмет, находящийся на рельсе.
- Убедиться в том, что ролики поворачиваются правильно и плавно.
- Убедиться в том, что оси роликов не повреждены.
- Убедиться в том, что регулировка расстояния между пластинами тележки правильно рассчитано по сравнению с шириной рельса.
- Следует убедиться в том, что радиус кривизны рельса не ниже технических возможностей используемой тележки.
- Проверить, не деформирован или не искривлен ли рельс в отдельных местах.
- Проверить состояние нижней поверхности рельса.

VII - ПРОВЕРКА И НОРМЫ БЕЗОПАСНОСТИ

Все предприятия, сотрудники или работники которых будут использовать механизм CORSO, должны применять трудовое законодательство и правила техники безопасности.

Во Франции данные механизмы должны в этом случае пройти предварительную проверку до ввода в эксплуатацию и периодический техосмотр (постановление от 9 июня 1993 г.).

Перед вводом оборудования в эксплуатацию следует убедиться в том, что все средства безопасности установлены и функционируют должным образом.

VIII - ТАБЛИЦА ИНФОРМАЦИИ О ТЕХНИЧЕСКОМ ОСМОТРЕ И СМАЗКЕ

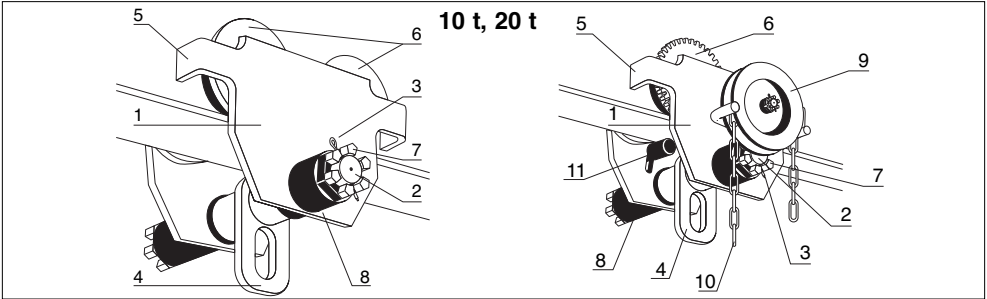
Проверка	Периодичность	Специалисты
Проверка общего состояния тележки.	Ежедневно	Оператор
Зрительная проверка боковых деталей и роликов (трещины, деформация).	Ежеквартально	Оператор
Зрительная проверка износа роликов и состояния цепи управления.	Раз в полгода	Оператор
Проверка состояния рельса.	Раз в полгода	Оператор
Общая проверка износа деталей, входящих в комплект тележки	Ежегодно	Отдел послепродажного обслуживания

RU

Specifications:

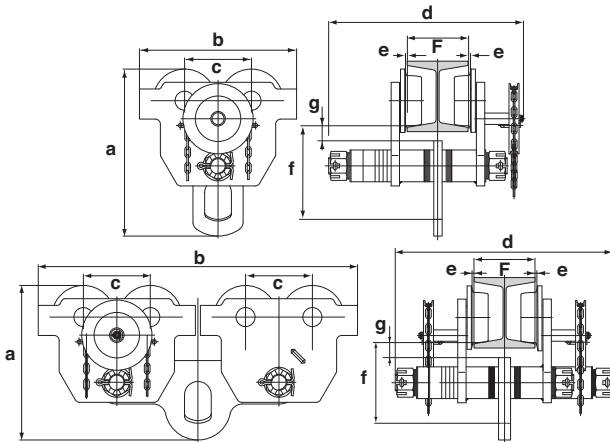
Specyfikacje:

Спецификации:



1. Trolley side plates/Tarcze/Боковые детали
2. Fixing bar/Pręt mocujący/Zakreplaющий стержень
3. Safety pin/Kołek bezpieczeństwa/Предохранительный штифт
4. Anchor point/Pięrś cień mocująca/Кольцо крепления
5. Safety bar and traversing end stop/Uchwyt bezpieczeństwa i ogranicznik przesuwu/Предохранительный стержень и ограничитель хода

6. Running wheels/Rolki jezdne/Ролики
7. Fixing nut/Nakrętka mocująca/Крепежные гайки
8. Spacer washers/Podkładki/Прокладочные шайбы
9. Operating wheel/Koło manewrowe/Колесо управления
10. Hand chain/łańcuch manewrowy/Цепь управления
11. Anti-tilt bar/Rygiel zapobiegający wykołejeniu/Штифт, предохраняющий от схода с рельсов



	W.L.L. Максимальная грузоподъемность	Dimensions / Wymiary / Габариты								Min. Curve radius/ Minimalny promień krzywizny/ Мин. радиус кривой	Mini theoretical strength of hand chain/ Minimalna siła teoretyczna działająca na łańcuch manewrowy/ Мин. теоретическая нагрузка на цепь управления	Weight Ciężar Вес				
		t	mm										mm	N	kg	
			a	b	c	d	e	f	g							F
Push trolley Wózek przejezdny ręczny Тележка для толкания	10	500	470	200	550	2,5	280	45	125-320	2500	-	105				
Geared trolley Wózek przejezdny łańcuchowy Тележка с цепным управлением	10	500	470	200	583	2,5	280	45	125-320	2500	34	115				
	20	500	955	200	654	2,5	270	45	136-320	5000	68	254				



FR DECLARATION DE CONFORMITE
GB DECLARATION OF CONFORMITY
ES DECLARACIÓN DE CONFORMIDAD
IT DICHIARAZIONE DI CONFORMITÀ
DE KONFORMITÄTSEKTLÄRUNG
NL CONFORMITEITSVERKLARING
PT DECLARAÇÃO DE CONFORMIDADE
DK OVERENSSTEMMELSESEKTLÆRING
FI VASTAAVUUSVAKUUTUS
NO SAMSVARSEKTLÆRING

SE FÖRSÄKRAN OM ÖVERENSSTÄMMELSE
GR ΔΗΛΩΣΗ ΣΥΜΜΟΡΦΩΣΗΣ
PL DEKLARACJA ZGODNOŚCI
RU СЕРТИФИКАТ СООТВЕТСТВИЯ
HU MEGFELELŐSÉGI NYILATKOZAT
CZ PROHLÁ-ENÍ O SHODĚ
BG ДЕКЛАРАЦИЯ ЗА СЪОТВЕТСТВИЕ
RO DECLARATIE DE CONFORMITATE
SK VYHLÁSENIE O ZHODE
SI IZJAVA O USTREZNOSTI



TRACTEL S.A.S.

RD 619, Saint-Hilaire-sous-Romilly,
F-10102 ROMILLY-SUR-SEINE
T : 33 3 25 21 07 00 - Fax : 33 3 25 21 07 11



représentée par / represented by / representado por / rappresentato da / vertreten durch / vertegenwoordigd door / representada por / repræsenteret af / edustajana / representert ved / företräds av / εκπροσωπούμενη από / reprezentowany przez / в лице / képviselő / zastoupená / представитель / reprezentat de către / zastúpená / ki ga predstavlja

M. Denis PRADON

Président Directeur Général / Chairman & Managing Director / Presidente Director General / Presidente Direttore Generale / Generaldirektor-Präsident des Verwaltungsrates / President-Directeur / Presidente / Administrerende direktør / Toimitusjohtaja / President og Generaldirektør / Vd och styrelseordförande / Πρόεδρος Γενικός Διευθυντής / Prezes / Президент и Генеральный Директор / Elnök-vezérigazgató / Generální ředitel / Генерален директор / Presedinte Director General / Generálny riaditeľ / Predsednik generalni direktor

129685 - ind 01 - 09/2009

30/09/2009

 **Tractel** Group 

F R	CERTIFIE QUE : L'équipement désigné ci-contre est conforme aux règles techniques de sécurité qui lui sont applicables à la date de mise sur le marché de l'UNION EUROPÉENNE par le fabricant. DISPOSITIONS APPLIQUÉES : Voir ci-dessous	S E	INTYGAR ATT : utrustningen som avses på motsstående sida överensstämmer med de tekniska säkerhetsregler som är tillämpliga när produkten släpps på Europeiska unionens marknad. GÄLLANDE BESTÄMMELSER : Se ovan
G B	CERTIFIES THAT : The equipment designated opposite is compliant with the technical safety rules applicable on the initial date of marketing in the EUROPEAN UNION by the manufacturer. MEASURES APPLIED : See below	G R	ΒΕΒΑΙΩΝΕΙ ΤΙ : ε π λ ι σ ζ π υ α ν α φ ρ ε τ α ι ὀ π λ α ε ν α ι σ φ ω ν ς π ρ ς τ υ ς τ ε ν ι κ ς κ α ν ν ε ς α σ φ α λ ε α ς π υ ι σ υ ν κ α τ τ η ν η ε ρ η ν α ὀ ἰ θ ε ς τ τ υ σ τ η ν α γ ρ π η ς ΕΥΡΩΠΑΪΚΗΣ ΕΝΩΣΗΣ απ τ τ υ κατασκευαστ . Ι Σ Υ Υ Ξ Ε Σ Ι Α Τ Α Ε Ι Σ : Βλ πε παρακ τω
E S	CERTIFICA QUE : El equipo designado al lado es conforme con las reglas técnicas de seguridad que le son aplicables en la fecha de comercialización de la UNIÓN EUROPEA por el fabricante. DISPOSICIONES APLICADAS : Ver abajo	P L	ZASWIADCZA, ŻE : Sprzęt określony na odwołanie odpowiada technicznym reguł om bezpieczeństwa stosującym się do niego w dniu wprowadzenia przez producenta na rynek UNII EUROPEJSKIEJ. STOSOWANE PRZEPISY : Patrz niżej
I T	CERTIFICA CHE : L'equipaggiamento designato a fianco è conforme alle regole tecniche di sicurezza ad esso applicabili alla data di messa, dal costruttore, sul mercato dell'UNIONE EUROPEA. DISPOSIZIONI APPLICABILI : Vedi soprastante	R U	УДОСТОВЕРЯЕТ СЛЕДУЮЩЕЕ : Названное оборудование соответствует применимым к нему техническим правилам безопасности, действующим на момент его выпуска производителем на рынок ЕВРОПЕЙСКОГО СОЮЗА. ПРИМЕНИМЫЕ ПОЛОЖЕНИЯ : См. ниже
D E	ERKLÄRT, DASS : Die gegenüber bezeichnete Ausrüstung den technischen Sicherheitsbestimmungen entspricht, die zum Zeitpunkt des Inverkehrbringens in der EUROPÄISCHEN UNION durch den Hersteller für die Ausrüstung gelten. ANGEWENDETE VORSCHRIFTEN : Siehe unten	H U	TANÚSÍJTJA, HOGY : a szemközt megnevezett felszerelés megfelel a gyártó által az EURÓPAI UNIÓB belül forgalmazás megkezdésének idő pontjában érvényben lévő vonatkozó műszaki biztonsági szabályoknak. ALKALMAZOTT RENDELKEZÉSEK : Lásd alább
N L	VERKLAART DAT : De in hieronder beschreven uitrusting conform de technische veiligheidsvoorschriften is die van toepassing zijn op de datum van de marktintroductie in de EUROPESE UNIE door de fabrikant. TOEGEPASTE SCHIKKINGEN : Zie hieronder	C Z	POTVRZUJE, ŽE : Niže uvedené zařizení je v souladu s technickými pravidly bezpečnosti platnými ke dni jeho uvedení výrobcem na trh EVROPSKÉ UNIE. PLATNÁ USTANOVENÍ : VViz níže
P T	CERTIFICA QUE : O equipamento designado ao lado satisfaz as regras técnicas de segurança aplicáveis na data da introdução no mercado da UNIÃO EUROPEIA pelo fabricante. DISPOSIÇÕES APLICADAS : Ver abaixo	B G	УДОСОТВЕРЯВА, ЧЕ : Описаното настреща съоръжение съответства на приложимите за него технически правила за безопасност към датата на пускането му на пазара на ЕВРОПЕЙСКИЯ СЪЮЗ от производителя. ПРИЛОЖИМИ РАЗПОРЕДБИ : Виж по-долу
D K	ERKLÆRER AT : Udstyret betegnet på modstående side er i overensstemmelse med de gældende tekniske sikkerhedsforskrifter på den dato, hvor fabrikanten har markedsført det i den EUROPÆISKE UNION. GÆLDENDE BESTEMMELSER : Se nedenfor	R O	CERTIFICĂ FAPTUL CĂ : Echipamentul menționat alături este conform normelor tehnice de securitate aplicabile la data lansării pe piața UNIUNII EUROPENE de către producător. DISPOZIȚII APLICATE : A se vedea mai jos
F I	VAKUUTTAA, ETTÄ : laite, johon tässä asiakirjassa viitataan täyttää tekniset turvamääräykset sinä päivänä, jona valmistaja tuo tuotteen myyntiin Euroopan unionin markkinoille. SOVELLETTAVAT MÄÄRÄYKSET : Katso alta	S K	POTVRDZUJE, ŽE : Niž je uvedené zariadenie je v súlade s technickými pravidlami bezpečnosti platnými ku dň u jeho uvedenia výrobcem na trh EURÓPSKEJ ÚNIE. PLATNÉ USTANOVENIA : Pozrite niž ie
N O	SERTIFISERER AT : Det udstyret som omtales på motsatt side er i overensstemmelse med de tekniske sikkerhetsregler som gjelder på det tidspunktet som fabrikanten setter utstyret i drift på markedet i DEN EUROPEISKE UNION. GJELDENDE NORMER : Se under	S I	POTRJUJE, DA : je opisana oprema skladna s tehničnimi pravili na področju varnosti, ki veljajo zanjo z dnem, ko jo proizvajalec pošlje na tržišče EVROPSKE UNIJE. VELJAVNA DOLOČILA : glej spodaj



→ 2009 : 98/37/CE



2006/95/CE



2004/108/CE



2000/14/CE

2010 → : 2006/42/CE

DÉSIGNATION / DESIGNATION / DESIGNACIÓN / DESIGNAZIONE /
BEZEICHNUNG / BESCHRIJVING / DESIGNAÇÃO / BETEGNELSE / NIMI-
TYS / BENEVNELSE / BETECKNING / ΟΝΟΜΑΣΙΑ / NAZWA / НАИМЕНОВАНИЕ
/ MEGNEVEZÉS / NÁZEV / НАИМЕНОВАНИЕ / DENUMIRE / NÁZOV / OPIS

Chariot porte palan / Hoist-carrying truck / Carro porta aparejos / Carrello por-
taparanco / Kettenzug-Laufkatze / Takeldrager / Carro porta-diferencial /
Løbekat / Vintturikärry / Løpekatt for talje / Kranvagn / **Ολισθητήρας στήριξης
παλάγκου** / Wózek wciągnika / Подвесная тележка / Emelőcsiga-kocsi / Vozik
kladkostroja / Телферна колица / Carucior port palan / Vozik kladkostroja /
Voziček z vitlom

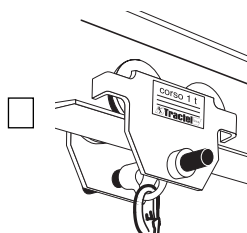
APPLICATION / APPLICATION / APLICACIÓN / APPLICAZIONE / ANWENDUNG / TOE-
PASSING / APLICAÇÃO / ANVENDELSE / ΚΑΥΤΤΌ / BRUKSOMRÅDE / ANVÄNDNING
/ ΕΦΑΡΜΟΓΗ / ZASTOSOWANIE / ПРИМЕНЕНИЕ / ALKALMAZÁSI TERÜLET / APLIKAC-
SE / ПРИЛОЖЕНИЕ / DOMENIU DE APLICARE / APLIKÁCIA / UPORABA

Accessoires de levage / Hoisting accessories / Accesorios de elevación /
Accessori di sollevamento / Lastaufnahmemittel / Hjsaccessories / Acessórios
de elevação / Tilbehør til ophejsning / Nostolisälaitteet / Løftetilbehør /
Lyfttillbehör / **Εξαρτήματα ανύψωσης** / Akcesoria do podnoszenia / Аксессуары,
используемые для подъема / Emelést segítő tartozékok / Zdvíhacie zariadenie /
Принадлежности за повдигане / Accesorii de ridicat / Zdvíhacie zariadenie / Dodatki
za dviganje

MARQUE / MAKE / MARCA / MARCA / MARKE / MERK / MARCA / MÆRKE / MERKKI
/ MERKE / MÅRKE / ΕΜΠΟΡΙΚΟ ΣΗΜΑ/MARKA / ФИРМА / MÁRKA / ZNAČKA / MARKA /
MARCA / ZNAČKA / ZNAMKA

CORSO

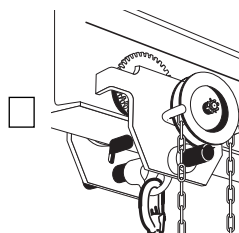
TYPE / TYPE / TIPO / TIPO / ТИП / TYPE / TIPO / TYPE / ΤΥΠΠΙ / TYPE /
ΤΥΡ / ΤΥΠΟΣ / ТΥР / ТИП / ТІПУС / ТΥР / ТИП / ТІР / ТΥР / ТІР



0,25 t

1,5 t

5 t



0,5 t

2 t

10 t

1 t

3 t

20 t

N° DE SÉRIE / SERIAL NO / N° DE SÉRIE / Nr. DI SERIE
/ SERIEN-NR / SERIENUMMER / N° DE SÉRIE / SERIE-
NUMMER / SARJANUMERO / SERIENUMMER /
SERIENR / ΣΕΙΡΙΑΚΟΣ ΑΡΙΘΜΟΣ / Nr SERII / N° СЕРИИ
/ SZÉRIASZÁM / VÝROBNÍ ČÍSLO / СЕРИЕН N°/ NR. DE
SERIE / VÝROBNÉ ČÍSLO / SERIJSKA - T.

FR TRACTEL S.A.S.

RD 619 Saint-Hilaire-sous-Romilly, B.P. 38
F-10102 ROMILLY-SUR-SEINE
T : 33 3 25 21 07 00 – Fax : 33 3 25 21 07 11

LU SECALT S.A.

3, Rue du Fort Dumoulin – B.P. 1113
L-1011 LUXEMBOURG
T : 352 43 42 42 1 – Fax : 352 43 42 42 200

DE GREIFZUG GmbH

Scheidt bachstrasse 19-21
D-51434 BERGISCH-GLADBACH
T : 49 2202 10 04 0 – Fax : 49 2202 10 04 70

GB TRACTEL UK LTD

Old Lane, Halfway
SHEFFIELD S20 3GA
T : 44 114 248 22 66 – Fax : 44 114 247 33 50

ES TRACTEL IBÉRICA S.A.

Carretera del medio 265
E-08907 L'HOSPITALET (Barcelona)
T : 34 93 335 11 00 – Fax : 34 93 336 39 16

IT TRACTEL ITALIANA S.p.A.

Viale Europa 50
I-20093 Cologno Monzese (MI)
T : 39 02 254 47 86 – Fax : 39 02 254 71 39

NL DK TRACTEL BENELUX B.V.

BE LU Paardeweide 38
NL-4824 EH BREDA
T : 31 76 54 35 135 – Fax : 31 76 54 35 136

PT LUSOTRACTEL LDA

Alto Do Outeiro Armazém 1 Trajouce
P-2785-086 S. DOMINGOS DE RANA
T : 351 214 459 800 – Fax : 351 214 459.809

PL TRACTEL POLSKA Sp. Zo.o

Al. Jerozolimskie 56c
PL-00-803 Warszawa
T : +48/60 902 06 07 - Fax : +48/22 300 15 59

CA TRACTEL LTD

1615 Warden Avenue Scarborough
Ontario M1R 2TR
T : 1 416 298 88 22 – Fax : 1 416 298 10 53

CN TRACTEL CHINA LTD

A09, 399 Cai Lun Lu, Zhangjiang HI-TECH Park
Shanghai 201203 – CHINA
T : +86 (0) 21 6322 5570 - Fax: +86 (0) 21 5353 0982

SG TRACTEL SINGAPORE Pte

50 Woodlands Industrial Parc E7
Singapore 75 78 24
T : 65 675 73113 – Fax : 65 675 73003

AE TRACTEL MIDDLE EAST

P.O. Box 25768
DUBAI
T : 971 4 34 30 703 – Fax : 971 4 34 30 712

US TRACTEL Inc

51 Morgan Drive.
Norwood, MA 02062
T : 1 781 401 3288 – Fax : 1 781 828 3642

RU TRACTEL RUSSIA O.O.O.

ul. Petrovka, 27
Moscow 107031
Russia
T : +7 915 00 222 45 – Fax : +7 495 589 3932